

Husmann®

Umwelt-Technik



Portable Hook Type Compactor with Pendulum Ram

Due to the special ram, the enclosed hydraulic cylinders and its leakproof charge box, the HUSMANN pendulum ram compactor is well suited for the compaction of wet waste.

Regular cleaning underneath and behind the ram of this HUSMANN pendulum compactor is not required. As this machine is leakproof no liquid can escape, thus assisting in the clean and hygienic maintenance of the compactor area. The use of the HUSMANN pendulum ram compactor can be recommended for places where wet waste originates i. e. hospitals, homes for the aged, hotels, large-scale catering establishments, markets, etc.

The HUSMANN pendulum ram compactor contributes considerably to the reduction of costs for transport, labour, maintenance and storage.

Husmann®
Umwelt-Technik

D-26892 Dörpen
Gewerbegebiet Nord 2
Tel. +49 (0) 4963/9110-0
Fax +49 (0) 4963/9110-50

D-49762 Lathen
Gerhard-Husmann-Str. 4
Tel. +49 (0) 5933/9318-0
Fax +49 (0) 5933/9318-50

D-74564 Crailsheim
Rossfelder Straße 55
Tel. +49 (0) 7951/9379-0
Fax +49 (0) 7951/9379-29

D-16909 Heiligengrabe
Am Sportplatz 6
Tel. +49 (0) 33962/8031-0
Fax +49 (0) 33962/8031-12

www.husmann.com



Husmann®

Umwelt-Technik

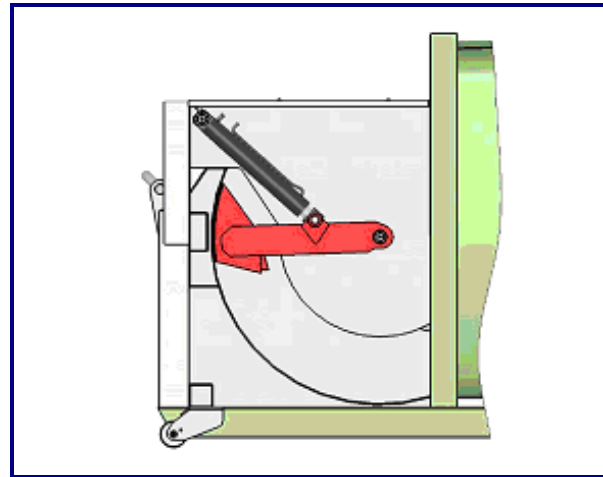


Quality features of HUSMANN Portable Compactors with Pendulum Ram Made in Germany

- suitable for wet waste
- rubber seal on the discharge door (all around)
- good filling and emptying of the compactor due to conical construction
- compactor floor made out of highly wear resistant close-grained construction steel
- ram protection case on controls
- standard equipment incl. autotimer, temperatur and float switch and motor protection
- low noise level power unit
- galvanized lockable ratchet closing system
- power pack built into top of the container
- high filling weight due to deflection section inside the discharge door
- all sections are welded through
- no cleaning of charge box required



• filling opening with leakproof charge box



• drawing filling opening

Portable Compactor SPB SW-E						
Technical Specification		Model	Capacity (cbm)	Length (mm)	Width (mm)	Height (mm)
Power:	5.5 kW	SPB 16 SW-E	16	5200	2550	2580
Supply:	400 V 50 Hz	SPB 18 SW-E	18	5600	2550	2580
Protection:	16 A träge	SPB 20 SW-E	20	6000	2550	2580
Compaction force:	310 kN	SPB 22 SW-E	22	6400	2550	2590
Volume per stroke:	0,72 cbm	SPB 24 SW-E	24	6870	2550	2580
Volume per hour:	appr. 92 cbm					
Avg. cycle time:	29 s					
Filling opening:	1.000 x 1.800 mm					
Filling height:	1.610 mm					

Various accessories, for example:

- Lid on top of filling opening, one-piece
- remote controls including 3 meters of cable
- Phase inverter
- Tipping device
- additional hook-lift system incl. roll on-off rollers
- foldable lifting hook at the filling opening
- hopper construction
- key-switch

**Comprehensive Service-Package: Hire and Leasing Company,
Nationwide Reliable Service, Modern Engineering Department**

Compactors – Portable Compactors – Compaction Containers – Transfer Stations – Large-Capacity Containers
Steel Dump Bodies – Shredders – Special Equipment